

3M Purification

CUNO™ GH Series Self Cleaning Metal Filter System

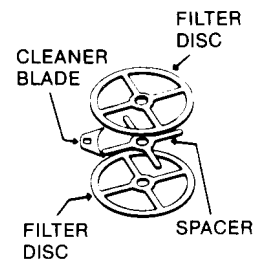


The CUNO™ GH series self cleaning metal filter is an all stainless steel cleanable edge type filter which is specially designed for high pressure applications. The 304 stainless steel head is O-ring sealed to the sump by bolts to allow sump removal without disturbing pipe connections. A vent plug and sump drain are provided to allow ease of maintenance and operation.

Theory of Operation

The CUNO™ GH series self cleaning metal filter cartridge is an assembled unit composed of a stack of alternating metal discs and spacers of uniform thickness on a rotatable metal shaft. The thickness of the spacer determines the degree of filtration. CUNO™ GH series self cleaning metal filter is available in spacings from 0.003" to 0.008" (75 µm to 200 µm).

Cleaning blades are mounted on a stationary rod adjacent to the cartridge stack and extend into the openings between the discs. Turning the cartridge handle rotates the disc and spacer assembly past the fixed cleaner blades. By rotating the cartridge, in either direction, the particles lodged between the discs are positively removed or "combed" from the surface without interruption of flow. Drain the sump as often as experience indicates is necessary.



Flow Capacity

The flow rates listed in Table 1 are based on clean fluid with a pressure drop of 20 kPa. Flow rates for other viscosity fluids are approximately proportional. Select a filter model according to the nature and concentration of the contaminant to be removed.

Table 1. – Model GH Flow Rates

Micron Rating (µm)	Spacing (in.)	Screen Mesh Equiv.	Free Area (cm ²)	Viscosity in SSU			
				100	300	700	2000
				Flow in lpm			
75	0.003	200	19	18.9	11.7	6.8	3.8
12	0.005	120	25	22.7	14.7	9.1	5.3
200	0.008	70	35	24.9	17.4	10.2	6.4

Applications

Coatings	Adhesives
Food & Beverage	Syrups
Oil & Gas	Lubricating oils, Bunker "C", Quenching oils, Cooling oils, Cutting oils, Diesel oils, Fuel oils, Tar, Wax, Grease

Features & Benefits

Cleanable design

- Reduces used filter cartridge disposal

Positive cleaning action with no interruption of flow or service

- Maximises process up-time

Rugged all metal construction for trouble-free operation

- Can handle highly viscous fluids
- Economical solution to long term filtration needs



Specifications

Table 2 lists the Model GH general specifications.

Table 2. – Model GH Specifications

Inlet/Outlet Connection	1" NPT
Drain	¼" NPT
Vent	1/8" NPT
Max. Operating Pressure	4000 kPa @ 93.3°C
Sludge Capacity	160 cm ³
Shipping Weight	11.3 kg
Housing Data	
Head	304 stainless steel
Sump	304 stainless steel
Head Gasket	Buna N O-ring
Gland Packing	PTFE-Aramid Fiber
Cartridge Data	
Diameter	32 mm
Length	115 mm
Material*	304 stainless steel
Spacing	0.003", 0.005" or 0.008"

Catalog Numbers

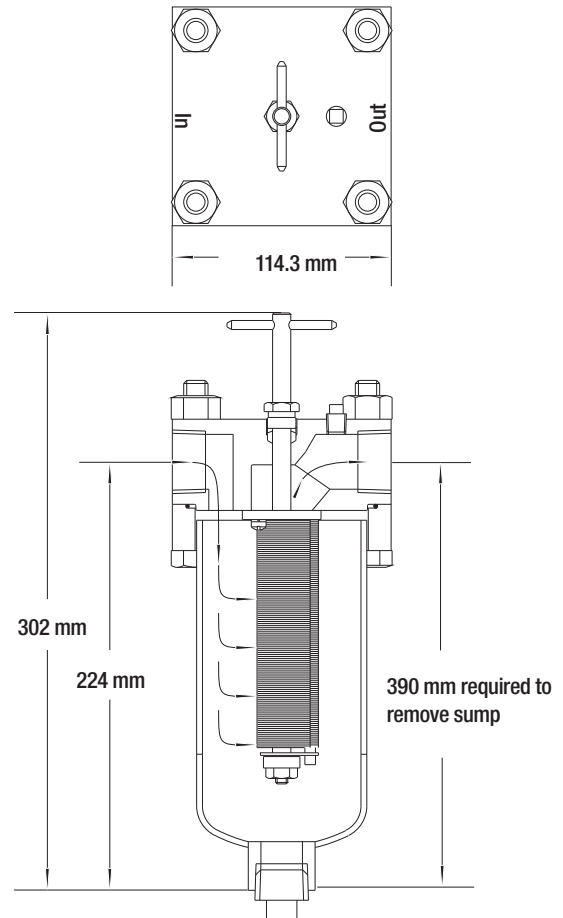
Model	Spacing (in.)	Filter Catalog Number	Cartridge Catalog Number
GH	0.003	13158-01-40-0030	70020081793
	0.008	13158-01-40-0080	70020081801

For replacement parts, contact your 3M Purification Representative.

Dimensions

Rough plumbing dimensions for the Model GH are given in Figure 1.

Figure 1. – Model GH Dimensions



Important Notice

The information described in this literature is accurate to the best of our knowledge. A variety of factors, however, can affect the performance of the Product(s) in a particular application, some of which are uniquely within your knowledge and control. INFORMATION IS SUPPLIED UPON THE CONDITION THAT THE PERSONS RECEIVING THE SAME WILL MAKE THEIR OWN DETERMINATION AS TO ITS SUITABILITY FOR THEIR USE. IN NO EVENT WILL 3M PURIFICATION BE RESPONSIBLE FOR DAMAGES OF ANY NATURE WHATSOEVER RESULTING FROM THE USE OF OR RELIANCE UPON INFORMATION.

It is your responsibility to determine if additional testing or information is required and if this product is fit for a particular purpose and suitable in your specific application.

Limitation of Liability

3M Purification Pty Limited will not be liable, to the extent permitted by law, for any loss or damage from the use of the Product(s), whether direct, indirect, special, or consequential, regardless of the legal theory asserted, included warranty, contract, negligence or strict liability.

3M

3M Purification Pty Limited

140 Sunnyholt Road
Blacktown NSW 2148
AUSTRALIA

Tel. 1300 367 362

Fax. 1800 671 599

www.3mpurification.com.au

New Zealand

PO BOX 33-246

North Shore 0740

Auckland, NEW ZEALAND

Tel. 0800 362 886

Fax. 0800 362 880

www.3m.com/nz