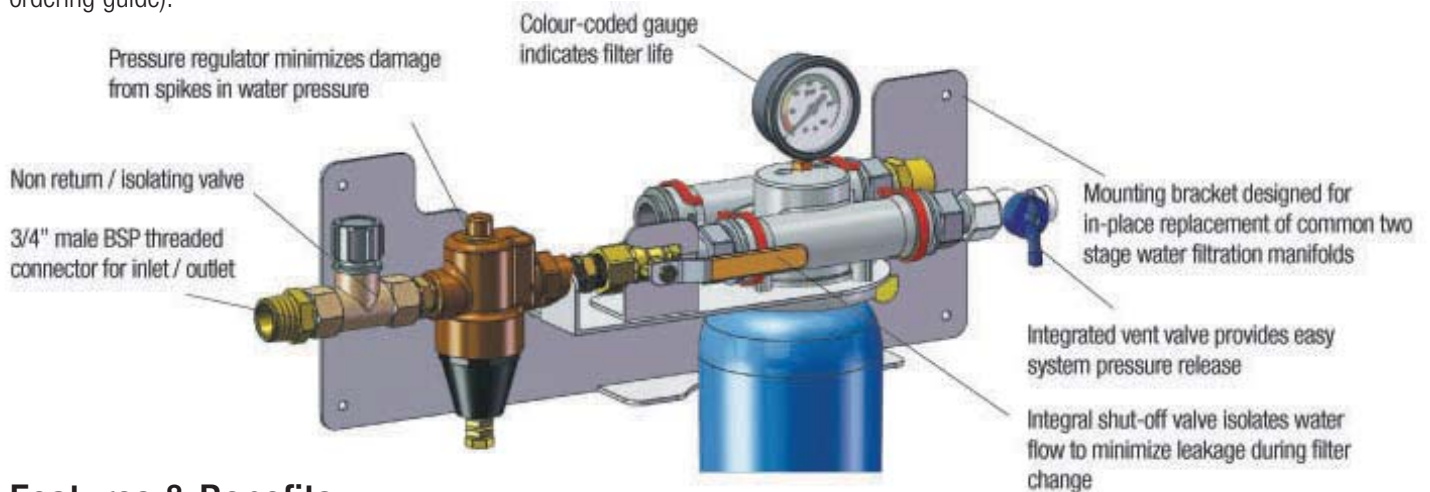


CUNO[®] AER Water Filtration System

Automated Endoscope Reprocessor Water Filtration

The CUNO Automated Endoscope Reprocessor Water Filtration system is designed to provide high-quality water to AER's by reducing sediment, particulate, and bacteria that may be found in typical hospital water supply. Innovative pleating, along with advanced design and construction technologies, effectively combine two distinct areas of filtration in a single disposable cartridge to maximize water throughput and filter life. The Sanitary Quick Change cartridge design enables filter change-outs in a fraction of the time versus traditional two-piece filter housings, providing a filter that is economical, easy to use and reduces the total cost of filtration for your department.

The CUNO AER Water Filtration System is available in two configurations (left or right inlet connection port) in order to be installed within a variety of locations including AER cart mounted and wall mounted. When installing, the manifold can be easily configured for the water outlet to be opposite of the inlet by changing the location of the outlet port (see ordering guide).



Features & Benefits

Sanitary Quick Change encapsulated cartridge.

- Three levels of filtration in one sanitary, disposable cartridge.
- Fast and easy change outs in a fraction of the time with a 1/4 turn.

0.2 micron absolute-rated bacteria retentive final membrane.

- Helps protect & prolong the life of downstream sterile filters.

Multi-stage pre-filtration layer

- Significantly increases the dirt/particulate holding capacity versus traditional filters.

Advanced Pleat Technology (APT).

- Significantly longer life than conventional two-stage filters.

Innovative Water Manifold.

- Multiple mounting holes allow for easy replacement of existing manifolds in a variety of locations.

Filter changes in seconds...

1. Isolate filter system by closing water supply valve
2. Vent system pressure using vent valve
3. *Push* the cartridge release button



2. *Twist* the cartridge clockwise



3. *Pull* the cartridge down, remove and discard



Easier to use than conventional two-stage water filters The CUNO AER Water Filtration System offers a variety of features that simplify the way filters are used in hospital departments and reduce the costs associated with operation and maintenance of conventional two-stage filters (see Figure 1).



Figure 1 — Conventional Two-Filter System and the CUNO AER System

Faster filter changes:

The Sanitary Quick Change cartridge allows for fast and easy filter changes in three easy steps after shutting off the water and venting the pressure¹. As compared to a conventional filter system requiring the labour intensive change-out of 2 filter housings (see photo), the patented² Sanitary Quick Change cartridge requires only minutes (see Figure 2).

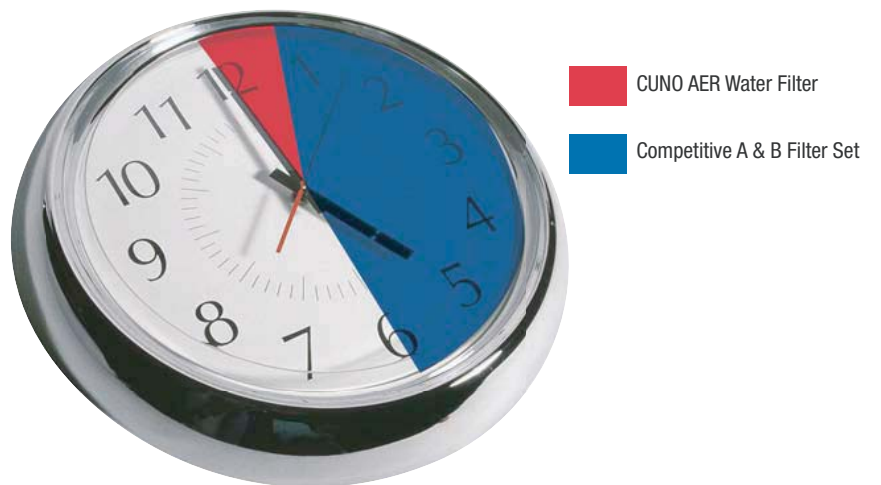


Figure 2 — Time Required for Change-out

¹ Please refer to the installation and operation instructions prior to installing this product.
² U.S. Patents 6,458,269; 6,949,189; and 7,135,113 & patents pending

Significantly longer life than existing two-stage water filtration systems.

The CUNO AER Water Filter cartridge is designed to last significantly longer than existing AER water filters. Patented³ APT membrane pleating combined with innovative filter design results in a long life filter that reduces the number and frequency of filter changes required, lowering the overall cost of filtration associated with endoscope reprocessing. Two levels of filtration are provided in one sanitary, disposable filter cartridge that eliminates the need for filter housings.

Advanced Pleat Technology (APT)

Maximises the useful surface area of the filter while maintaining open flow paths between media pleats. As shown in Figure 3, by employing APT design, the AER Water Filter provides over twice the service life, significantly reducing overall filtration costs.



Pre-filtration Zone

Glass micro-fibre co-pleated with 0.6 micron polyethersulfone membrane provide for high dirt holding capacity and sub-micron particulate filtration

Bacteria Retention Zone

0.2 micron absolute-rated polyethersulfone membrane captures >99.999% of common water-borne bacteria⁴ and helps prolong the life of downstream sterile filters.



Figure 3 — One CUNO Cartridge versus Six Competitive Cartridges

CUNO AER Water Filtration Specification

The CUNO AER Water Filtration System includes a single cartridge manifold with built-in pressure gauge, inlet shut off valve, cartridge vent valve, mounting bracket, and one filter cartridge.

Specifications

Inlet and outlet connection	3/4" BSP male threaded connectors
Maximum operating pressure	862 kPa (125 psi)
Maximum operating temperature	60°C (140°F)
Maximum recommended flow rate	18.9 lpm (5.0 gpm)
Capsule material	High-impact, high-temperature polyphenylene oxide (PPO)
Shipping weight	7 kg (15.4 lbs)

³ U.S. Patent 6,315,130 & patents pending

⁴ including *Pseudomonas aeruginosa* (ATCC #14503) and *Brevundimonas diminuta* (ATCC #14756).

CUNO Automated Endoscope Reprocessor (AER) Water Filtration System Ordering Guide

Manifold Configurations and Part Number⁵

Part Number ⁵	Inlet Connection Ports
AK200117674	Left side
AK200117666	Right side

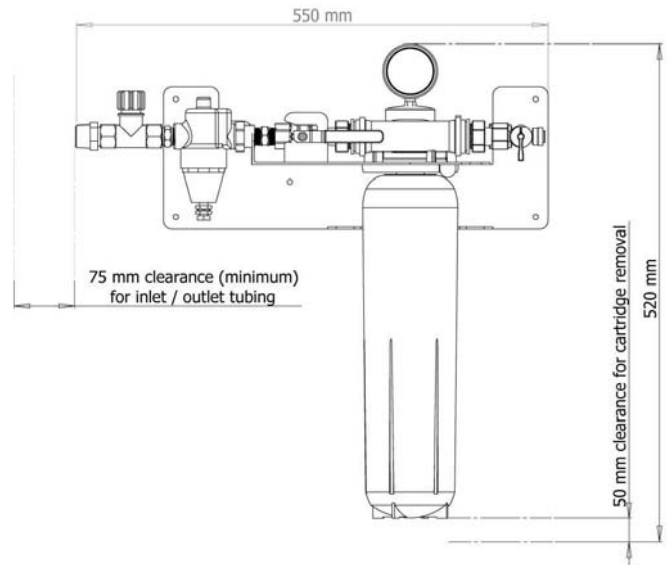
⁵ Includes one manifold and one filter cartridge

Cartridge Part Number/Packaging

AK200117682	AER water filter cartridge (twin pack)
-------------	--

WARNING: Do not use with water that is microbiologically unsafe or of unknown quality without adequate disinfection before or after the system. Systems certified for cyst reduction may be used on disinfected water that may contain filterable cysts.

CUNO AER Water Filtration System General Dimensions
(HWB01 Shown)



Important Notice

CUNO MAKES NO WARRANTIES, EXPRESS OR IMPLIED, INCLUDING, BUT NOT LIMITED TO, ANY IMPLIED WARRANTY OF MERCHANTABILITY OR FITNESS FOR A PARTICULAR PURPOSE. Since a variety of factors can affect the use and performance of a CUNO product in a particular application, some of which are uniquely within the user's knowledge and control, user is responsible for determining whether or not the CUNO product is fit for a particular purpose and suitable for user's method of application.

Limitation of Remedies and Liability

If the CUNO product is proved to be defective, THE EXCLUSIVE REMEDY, AT CUNO'S OPTION, SHALL BE TO REFUND THE PURCHASE PRICE OR TO REPAIR OR REPLACE THE DEFECTIVE PRODUCT. CUNO shall not otherwise be liable for loss or damages, whether direct, indirect, special, incidental or consequential, regardless of the legal theory asserted, including, but not limited to, contract, negligence, warranty or strict liability.

Warranty

Seller warrants its equipment against defects in workmanship and material for a period of 12 months from date of shipment from the factory under normal use and service and otherwise when such equipment is used in accordance with instructions furnished by Seller and for purposes disclosed in writing at the time of purchase, if any. Any unauthorised alteration or modification of the equipment by Buyer will void this warranty. Seller's liability under this warranty shall be limited to the replacement or repair, F.O.B., point of manufacture, of any defective equipment or part which, having been returned to the factory, transportation charges prepaid, has been inspected and determined by Seller to be defective. THIS WARRANTY IS IN LIEU OF ANY OTHER WARRANTY, EITHER EXPRESSED OR IMPLIED, AS TO DESCRIPTION, QUALITY, MERCHANTABILITY, FITNESS FOR ANY PARTICULAR PURPOSE OR USE, OR ANY OTHER MATTER. Under no circumstances shall Seller be liable to Buyer or any third party for any loss of profits or other direct or indirect costs, expenses, losses or consequential damages arising out of or as a result of any defects in or failure of its products or any part or parts thereof or arising out of or as a result of parts or components incorporated in Seller's equipment but not supplied by the Seller.

For more information or technical assistance, phone

CUNOCare ☎ **1300 367 362**



www.cuno.com.au

☎ **1800 671 599**

HEAD OFFICE

140 Sunnyholt Road
Blacktown, NSW 2148

VICTORIA

Brandon Business Park
540 Springvale Road
Glen Waverley VIC 3150

QUEENSLAND

Building 3
23 Breene Place
Morning Side QLD 4170

SOUTH AUSTRALIA

39-41 South Road
Thebarton SA 5031

WESTERN AUSTRALIA

4 Gould Street
Osborne Park WA 6017