

# 3M Purification

## 3M™ HF15MS

### Water Filter Cartridge



The 3M™ Water Filtration Product Model HF15-MS single cartridge water filtration help provide high quality water for the perfect cup of coffee or tea by reducing the effects of sediment and chlorine taste and odour at flow rates up to 3.8 lpm. A proprietary slow release scale inhibitor reduces the ability of calcium and magnesium to form on the heating coils causing downtime and unscheduled service maintenance.

HF15-MS combines scale reduction with sediment and chlorine taste and odour reduction from higher turbidity water for up to 13,249 litres.

### Features & Benefits

- Consistent great tasting brewed coffee and tea from water with reduced sediment and chlorine taste and odour.
- Better equipment protection from reduced sediment particles that can clog the spray head.
- Reduced scale formation by the controlled release of proprietary scale inhibitors as tested by 3M Purification.
- NSF Standard 42 and/or FDA CFR-21 compliant materials.
- Valve-in-head design simultaneously shuts off and vents water, allowing for simple and virtually trouble-free cartridge change-outs without the need to shut off the upstream feed water.

### Applications

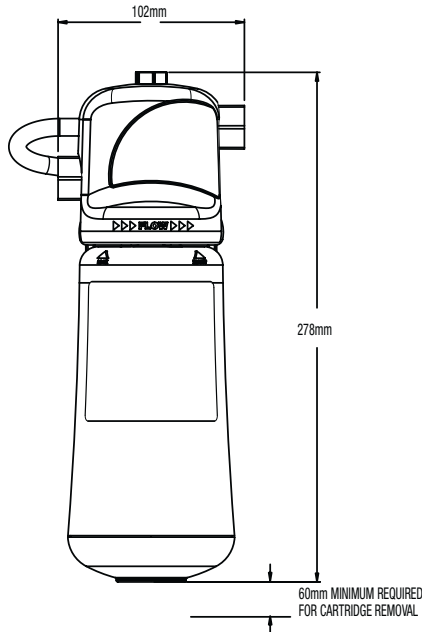
- Coffee
- Vending

### Product Specifications

Model	Part Number	Micron Rating	Reduction Claims	Capacity	Service Flow Rate	Application
HF15MS	70020044320	5	Sediment <sup>1</sup> , Chlorine, Scale <sup>1</sup> , Taste & Odour	13,200 litres	3.8 lpm	Ideal for water with total hardness up to 140 PPM

1. Tested and verified by manufacturer's laboratory.





## Physical Specifications

- Single Filter cartridges are o-ring seal type.
- Filter cartridge maximum operating pressure of 862 kPa (125 psi) and operating temperature of 37.8°C (100°F).
- Recommended service flow rate is up to 3.8 lpm (1.0 gpm).
- Filter cartridges incorporate carbon block filtration medium and scale inhibitor.
- Filter cartridges materials are NSF Standard 42 and/or FDA CFR-21 compliant.
- Cartridges are sanitary in design, requiring no contact with the filter media during cartridge change-out.
- Filter cartridges require no pre-activation.
- NSF Performance Data Sheet (PDS) is included.
- Shipping weight: 8.2 kg (18 lbs) per case.
- Case quantity: 8

### IMPORTANT: Installation Tips

These installation tips are for informational purposes only and are not intended to be used as actual installation instructions.

### CAUTION: To reduce the risk associated with property damage due to water leakage:

- Read and follow. Use Instructions before installation and use of this system.
- Installation and use. MUST comply with all state and local plumbing codes.
- Protect from freezing, remove filter cartridge when temperatures are expected to drop below 4.4°C (40°F).
- Do not install on hot water supply lines. The maximum operating water temperature of this filter system is 37.8°C (100°F).
- Do not install if water pressure exceeds 862 kPa (125 psi). As a requirement of the plumbing code, a pressure limiting valve and backflow prevention device must be installed. Contact a plumbing professional if you are uncertain how to check your water pressure.

WARNING: Do not use with water that is microbiologically unsafe or of unknown quality without adequate disinfection before or after the system. If system is not used for 2 days or more, flush 5-10 litres of water through before consuming water.

### Important Notice

The information described in this literature is accurate to the best of our knowledge. A variety of factors, however, can affect the performance of the Product(s) in a particular application, some of which are uniquely within your knowledge and control. INFORMATION IS SUPPLIED UPON THE CONDITION THAT THE PERSONS RECEIVING THE SAME WILL MAKE THEIR OWN DETERMINATION AS TO ITS SUITABILITY FOR THEIR USE. IN NO EVENT WILL 3M PURIFICATION BE RESPONSIBLE FOR DAMAGES OF ANY NATURE WHATSOEVER RESULTING FROM THE USE OF OR RELIANCE UPON INFORMATION. It is your responsibility to determine if additional testing or information is required and if this product is fit for a particular purpose and suitable in your specific application.

### Limitation of Liability

3M Purification Pty Limited will not be liable, to the extent permitted by law, for any loss or damage from the use of the Product(s), whether direct, indirect, special, or consequential, regardless of the legal theory asserted, included warranty, contract, negligence or strict liability.

**3M**

### 3M Purification Pty Limited

140 Sunnyholt Road  
Blacktown NSW 2148  
Australia  
Tel: 1300 367 362  
Fax: 1800 671 599  
www.3mpurification.com.au

### 3M New Zealand

94 Apollo Drive  
Rosedale Auckland 0632  
New Zealand  
Tel: 0800 362 886  
Fax: 0800 362 880  
www.3M.com/nz

3M is a trademark of the 3M Company.

Please recycle. Printed in Australia.

© 3M 2014. All rights reserved.

AV011434311