



## ZetaPlus 12ZP Housing Range



Zeta Plus 12ZP filter housings are fully designed in Australia to comply with:

- AS1210 Australian Standard for unfired pressure vessels
- National Workcover guidelines governing the design, fabrication and registration of pressure vessels
- The requirements of the pharmaceutical, food, beverage and high purity water markets

Zeta plus 12ZP housings are fully fabricated in 316L stainless steel mechanically polished internally and externally.

They also accommodate up to four (4) standard 12" Zeta Plus cartridges providing up to 7.2m<sup>2</sup> of filter area.

12ZP filter housings are suitable for flow rates up to 10,000lph\*

### Features & Benefits

Totally enclosed depth cartridge filtration with fast and easy cartridge change-out

- Eliminates external contamination, edge leakage, loss of valuable product and extended change-out times normally associated with plate and frame filter presses.

Positive spring loaded cartridge sealing system

- Provides optimal sealing compression to prevent filter bypass even under the most arduous process condition

Systems can be integrity tested in situ

- Ensures proper cartridge installation and system integrity

Housings accommodate up to four (4) off 12" cartridges

- Suitable for small through large batch sizes and aqueous flows from 2,500 to 10,00 lph per housing

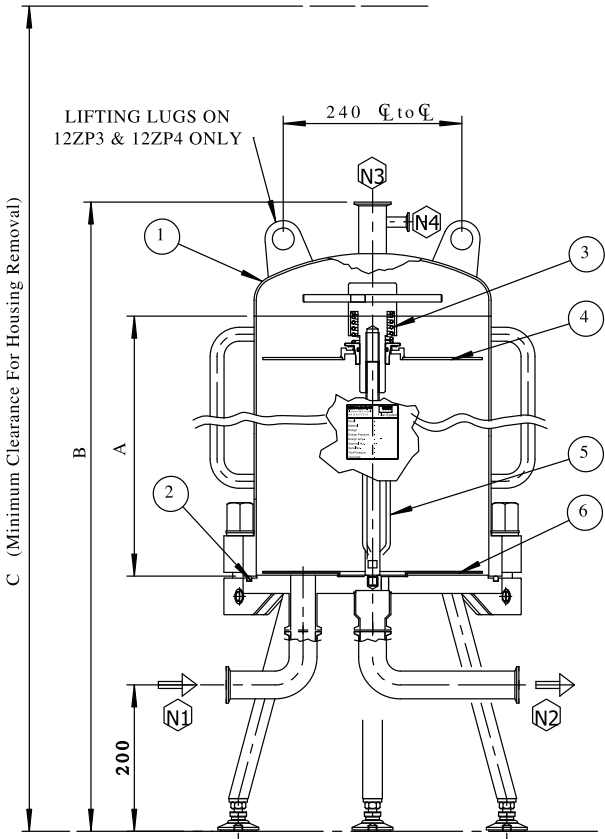
Complies with national workcover guidelines

- Meets OH&S requirements

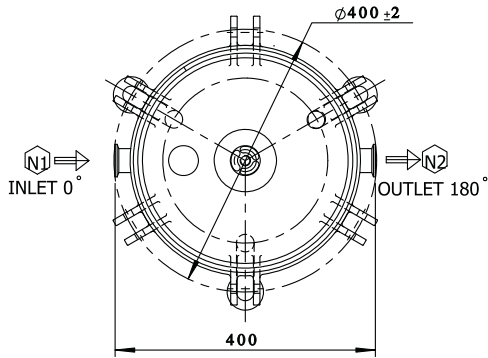
### Technical Data

Design Code	AS1210*1997 CL2A
Design Pressure	1000 kPa
Design Temperature	100°C
Hydro Test Pressure	1500 KPa
Material	SS 316L

# Replacement parts for 12ZP Zeta Plus Filter Housings



SECTIONAL VIEW



TOP VIEW WITHOUT DOME

## Nozzle List

Model No.	12ZP1 & ZP2	12ZP3 & ZP4
Nozzle N1	1.5" Triclover	2" Triclover
Nozzle N2	1.5" Triclover	2" Triclover
Nozzle N3	1.5" Triclover	1.5" Triclover
Nozzle N4	0.5" Triclover	0.5" Triclover

## Filter Selection

Model No.	12ZP1	12ZP2	12ZP3	12ZP4
Filter cartridge	1 high	2 high	3 high	4 high
Dim A mm	355	645	925	1160
Dim B mm	860	1150	1430	1665
Dim C mm	1300	1885	2445	2915
Vessel Volume	36L	59L	81L	100L
Dome	18kg	25kg	31kg	37kg
Total Mass	45kg	52kg	59kg	65kg

## Replacement Part Identification

Item	Description	Part Number
1.1	Housing assembly (1 high)	AK200099831
1.2	Housing assembly (2 high)	AK200099849
1.3	Housing assembly (3 high)	AK200099856
1.4	Housing assembly (4 high)	AK200099864
2.1	Dome seal ring - nitrile	AK200107295
2.2	Dome seal ring - Silicon	AK200107308
3.0	Cartridge nut assembly	FD000073912
4.0	Protection plate	FD000073516
5.1	Centre rod (1 high)	FD000073417
5.2	Centre rod (2 high)	FD000073425
5.3	Centre rod (3 high)	FD000000469
5.4	Centre rod (4 high)	FD000072708
6.0	Baffle plate	FD000069696

### Important Notice

The information described in this literature is accurate to the best of our knowledge. A variety of factors, however, can affect the performance of the Product(s) in a particular application, some of which are uniquely within your knowledge and control. INFORMATION IS SUPPLIED UPON THE CONDITION THAT THE PERSONS RECEIVING THE SAME WILL MAKE THEIR OWN DETERMINATION AS TO ITS SUITABILITY FOR THEIR USE. IN NO EVENT WILL 3M PURIFICATION BE RESPONSIBLE FOR DAMAGES OF ANY NATURE WHATSOEVER RESULTING FROM THE USE OF OR RELIANCE UPON INFORMATION.

It is your responsibility to determine if additional testing or information is required and if this product is fit for a particular purpose and suitable in your specific application.

### Limitation of Liability

3M Purification Pty Limited will not be liable, to the extent permitted by law, for any loss or damage from the use of the Product(s), whether direct, indirect, special, or consequential, regardless of the legal theory asserted, included warranty, contract, negligence or strict liability.



### 3M Purification Pty Limited

140 Sunnholt Road  
Blacktown NSW 2148  
AUSTRALIA

Tel. 1300 367 362  
Fax. 1800 671 599

www.3mpurification.com.au

### New Zealand

PO BOX 33-246  
North Shore 0740  
Auckland, NEW ZEALAND

Tel. 0800 362 886  
Fax. 0800 362 880

www.3m.com/nz