

3M Purification

LifeASSURE™ ZV & ZS Series Sanitary Filter Housings



LifeAssure sanitary style ZV and ZS filter housings are designed for critical clarification and sterile filtration applications. Manufactured to the strictest of quality standards and from the highest quality materials, the ZV and ZS filter housings meet the exacting requirements of the pharmaceutical, biotechnology, food & beverage and micro-electronics industries. ZV and ZS filter housings are designed for liquid or gas service and can easily be cleaned-in-place (CIP), steamed-in-place (SIP), or hot water sanitized.

The 316 stainless steel housings accept one filter element up to 10", 20", 30" or 40" lengths. All ZS housings are equipped with a 1/2" sanitary vent valve while the ZV range includes a drain valve with hosedetail connection. The inlet and outlet connections are 1 1/2" triclover on both ranges.

ZV and ZS housings offer the highest quality mechanically-polished surface finish for ease of cleaning. Wetted surfaces are further polished to a 0.4µm Ra surface finish to limit bacterial and particulate adhesion.

An improved bayonet cartridge interlock design allows easy cleaning, and a positive locking retention mechanism secures the filter cartridge even during back pressure surges. A 304L stainless steel clamp secures the housing base and dome permitting rapid filter changeouts. Each filter housing is hydrostatically tested to ensure long term efficient operation even in the most demanding environment. All housings are supplied with silicone gaskets that comply with CFR 21 requirements for direct food and drug contact.

Features & Benefits

316L stainless steel construction

- Maximum corrosion resistance ensures long term service

High quality surface finish (0.4µm Ra internal)

- Minimum bacterial/particulate adhesion

Housings accommodate one 10", 20", 30", or 40" filter cartridge and 1 high, 2 high, 3 high or 4 high

- Suitable for small to intermediate product batches and tank vent applications

Accepts sanitary style double o-ring bayonet lock cartridge

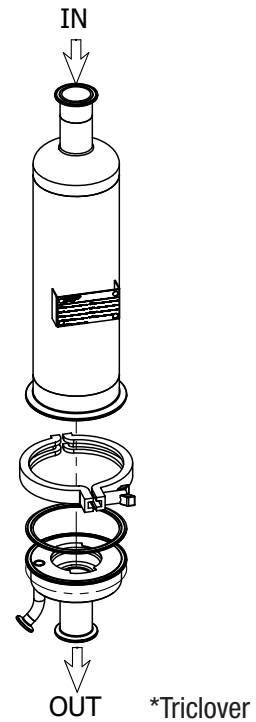
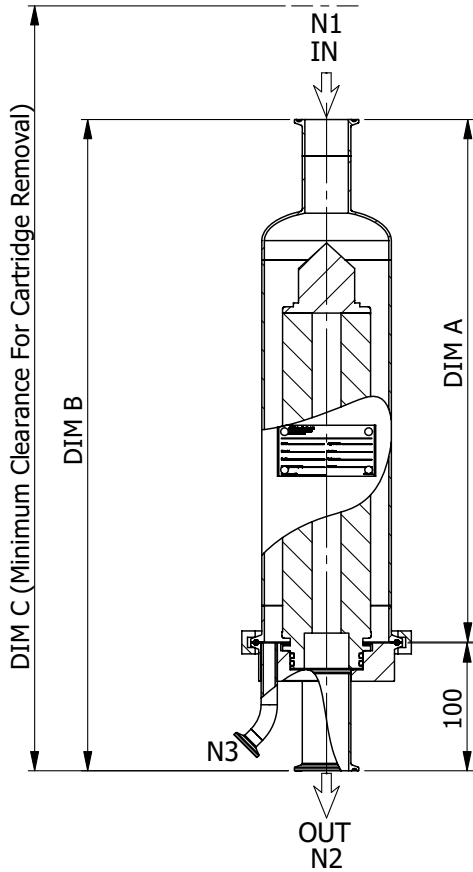
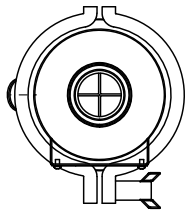
- Cartridge locks into place assuring secure installation even under back pressure conditions

Clean-in-Place (CIP) / Steam-in-Place (SIP) Design

- Permits easy cleaning, sterilization or sanitization in place (*in-situ*)

Designed to minimise product holdup volume

- Enables maximum recovery of product
-



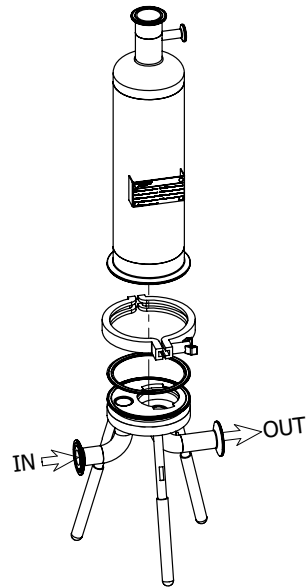
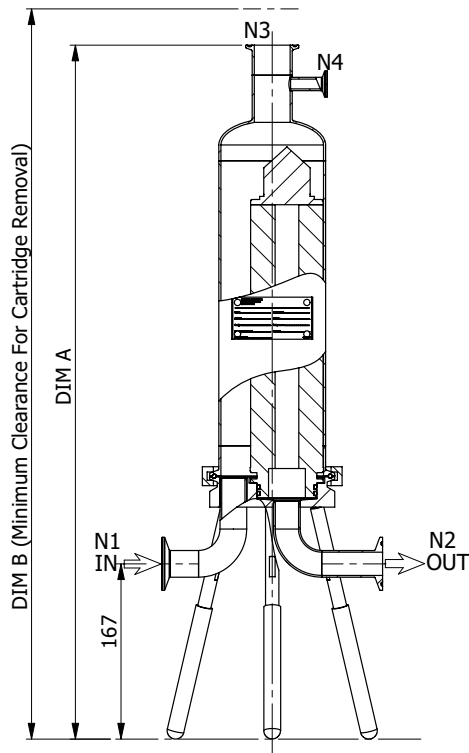
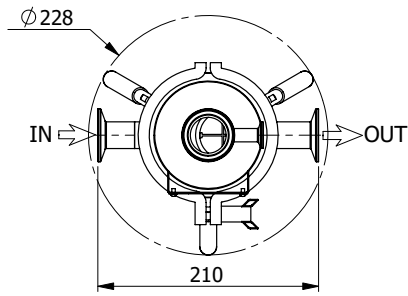
Model ZV Specification

Technical Data

Filter socket type	226 / CD7
Design code	AS 1210 - 1997
Design pressure	1000 kPa
Design temperature	100°C
Hydro test pressure	1500 kPa
Material	SS 316L
Connection size	1.5" Triclover
Drain	0.5" Triclover

Filter Selection

Model No.	1ZV1	1ZV2	1ZV3
Filter cartridge	1 HIGH / 10"	2 HIGH / 20"	3 HIGH / 30"
DIM A mm	410	660	910
DIM B mm	510	760	1010
DIM C mm	800	1300	1800
Vessel volume	2.4 L	4.3 L	6.2 L
Mass kg	4.4 kg	5.2 kg	6.0 kg



Model ZS Specification

Technical Data

Filter socket type	226 / CD7
Design code	AS 1210 - 1997
Design pressure	1000 kPa
Design temperature	100°C
Hydro test pressure	1500 kPa
Material	SS 316L
Connection size	1.0" Triclover
Drain	0.5" Triclover
Gauge	1.5" Triclover

Filter Selection

Model No.	1ZS1	1ZS2	1ZS3	1ZS4
Filter cartridge	1 HIGH / 10"	2 HIGH / 20"	3 HIGH / 30"	4 HIGH / 40"
DIM A mm	660	910	1160	1410
DIM B mm	990	1490	1990	2490
Vessel volume	2.5 L	4.4 L	6.3 L	8.2 L
Integrity test volume	1.6 L	2.5 L	3.5 L	4.4L
Mass kg	4.4 kg	5.2 kg	6.0 kg	6.8 kg

Housing Ordering Guide		
HOUSING MODEL	DESCRIPTION	PART NUMBER
1ZS1	1 high / 10" filter sanitary T-line housing	AK200040330
1ZS2	2 high / 20" filter sanitary T-line housing	AK200010348
1ZS3	3 high / 30" filter sanitary T-line housing	AK200040355
1ZS4	4 high / 40" filter sanitary T-line housing	AK200040363
1ZV1	1 high / 10" filter sanitary in-line housing	AK200040371
1ZV2	2 high / 20" filter sanitary in-line housing	AK200040389
1ZV3	3 high / 30" filter sanitary in-line housing	AK200040397

Spare Parts Ordering Guide		
GASKET	DESCRIPTION	PART NUMBER
Silicon	4" Triclover gasket dome seal silicon	AK200050768
Nitrile	4" Triclover gasket dome seal nitrile	AK200050743

Important Notice

The information described in this literature is accurate to the best of our knowledge. A variety of factors, however, can affect the performance of the Product(s) in a particular application, some of which are uniquely within your knowledge and control. INFORMATION IS SUPPLIED UPON THE CONDITION THAT THE PERSONS RECEIVING THE SAME WILL MAKE THEIR OWN DETERMINATION AS TO ITS SUITABILITY FOR THEIR USE. IN NO EVENT WILL 3M PURIFICATION BE RESPONSIBLE FOR DAMAGES OF ANY NATURE WHATSOEVER RESULTING FROM THE USE OF OR RELIANCE UPON INFORMATION.

It is your responsibility to determine if additional testing or information is required and if this product is fit for a particular purpose and suitable in your specific application.

Limitation of Liability

3M Purification Pty Limited will not be liable, to the extent permitted by law, for any loss or damage from the use of the Product(s), whether direct, indirect, special, or consequential, regardless of the legal theory asserted, included warranty, contract, negligence or strict liability.



3M Purification Pty Limited

140 Sunnyholt Road
Blacktown NSW 2148
AUSTRALIA

Tel. 1300 367 362

Fax. 1800 671 599

www.3mpurification.com.au

New Zealand

PO BOX 33-246
North Shore 0740
Auckland, NEW ZEALAND

Tel. 0800 362 886

Fax. 0800 362 880

www.3m.com/nz