



3M™ BHT Series

AS1210 Code Bag Housing



BHT Series housings for use with conventional bag filter elements are available in single filter** elements configuration for #2 filter sizes. The BHT Series housings offered in top entry Model** flow path are constructed with 316 Stainless Steel. The BHT series comes with standard flange** inlet & outlet connections. BHT Series housing is supplied with standard stainless steel bag filter support basket. The housing is rated for operation up to 1000KPa @ 100°C and is manufactured to comply with the (Class 3) AS1210 code. Housing installation in new or existing systems is simplified by band clamp legs which can accommodate up to 300mm adjustment in floor to outlet height. The BHT Series housing is designed for use with non harmful liquids.

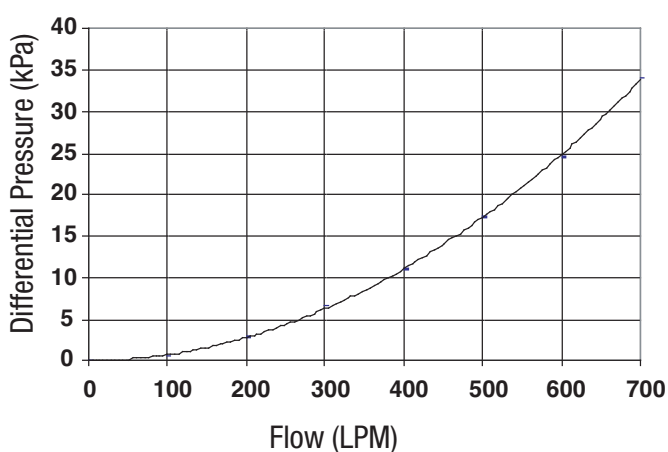
** Side entry and multi-round bag housings are also available on request. Please contact 3M Purification Sales for further information.

BHT Series Filter Housing Specification

| | |
|-----------------------------|-----------------|
| Material | SS316 |
| Gaskets | EPDM Standard* |
| Connection Size | 2" JIS Flange |
| Vent Size Connection | 1/2" NPTF |
| Max. Pressure & Temperature | 1000KPa @ 100°C |
| Shipping Weight | |
| • Housing | 48 kg |
| • Basket | 5.4 kg |
| • Legs | 1.8 kg |

* Housings supplied with standard EPDM gaskets, other gasket materials available, consult 3M Purification sales.

Flow vs. Differential Pressure



Pressure drops are for size #2 bag housing based on an aqueous solution with viscosity of 1 cps with perforated support basket but with no bag installed. Consult the appropriate bag information to determine the total system pressure drop. Recommended maximum flow rate is 370 LMP.

Features & Benefits

Rugged, heavy duty, AS1210 Code designs

- Designed for use in the most demanding applications

Direct sealing of cover on bag filter (top entry model)

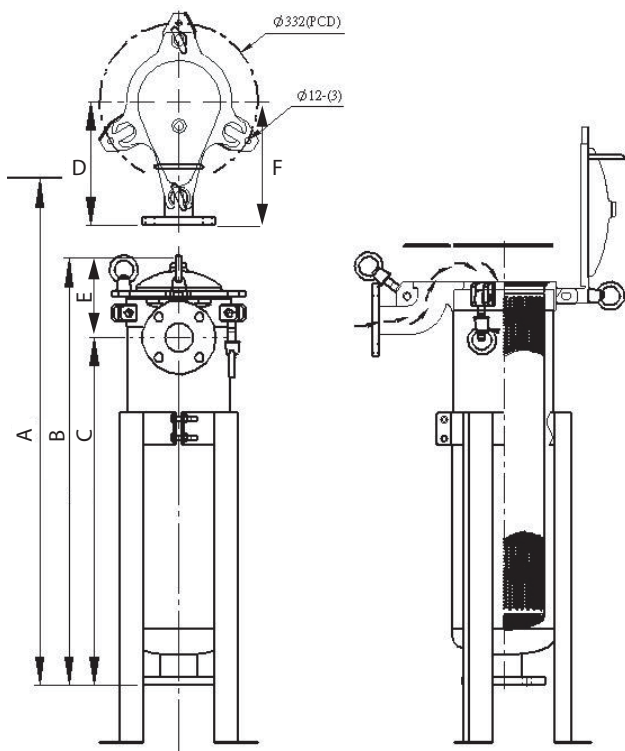
- Keeps bag filters properly seated in baskets

Swing bolt design

- Easy opening and closing of the vessel

Designed for use with standard bag filters

- Flexibility for using optimum filter for the application



AK200116593 BHT2 NB #2 Top Housing SS316 10 Bar 2" JIS FL. This vessel should not be used in vacuum service applications.

Housing Dimensions (mm)*

| Model | 1BHT2 |
|-------------|-------|
| Vessel O.D. | 219 |
| A** | 1700 |
| B | 935 |
| C | 735 |
| D | 302 |
| E | 165 |
| F | 220 |

* Dimensions are for reference only

** Minimum height required for basket replacement

Accessories

| DESCRIPTION | PART NUMBER |
|---|-------------|
| Bag Basket Size #1 SS316 | AK200116601 |
| Bag Basket Size #2 SS316 | AK200116619 |
| Bag Insertion Tool | 70020196187 |
| Cover 'O'Ring (EPDM) BHT2 NB Housing | AK200116627 |
| Cover 'O'Ring (Fluorocarbon) BHT2 NB Housing | AK200116635 |
| Cover 'O'Ring (Nitrile) BHT2 NB Housing | AK200116643 |
| Nozzle 'O'Ring (EPDM) BHT2 NB Housing | AK200116650 |
| Nozzle 'O'Ring (Fluorocarbon) BHT2 NB Housing | AK200116668 |
| Nozzle 'O'Ring (Nitrile) BHT2 NB Housing | AK200116676 |
| SS316L #1 Metal Float Ball (Balloon) | AK200117989 |
| SS316L #2 Metal Float Ball (Balloon) | AK200117997 |

BHT Series Housing Ordering Guide

| Number of Filter Elements | Housing Model | Housing Type | Filter Size | Material | Connection Type | Basket Type |
|---------------------------|-----------------|--------------------|-------------|------------------------|----------------------|---------------|
| 1 - Single Filter | BH- Bag Housing | T- Top Entry, Code | 2- #2 | C- 316 Stainless Steel | 2- 2" 10K JIS Flange | B- Bag Basket |

Important Notice

The information described in this literature is accurate to the best of our knowledge. A variety of factors, however, can affect the performance of the Product(s) in a particular application, some of which are uniquely within your knowledge and control. INFORMATION IS SUPPLIED UPON THE CONDITION THAT THE PERSONS RECEIVING THE SAME WILL MAKE THEIR OWN DETERMINATION AS TO ITS SUITABILITY FOR THEIR USE. IN NO EVENT WILL 3M PURIFICATION BE RESPONSIBLE FOR DAMAGES OF ANY NATURE WHATSOEVER RESULTING FROM THE USE OF OR RELIANCE UPON INFORMATION.

It is your responsibility to determine if additional testing or information is required and if this product is fit for a particular purpose and suitable in your specific application.

Limitation of Liability

3M Purification Pty Limited will not be liable, to the extent permitted by law, for any loss or damage from the use of the Product(s), whether direct, indirect, special, or consequential, regardless of the legal theory asserted, included warranty, contract, negligence or strict liability.



3M Purification Pty Limited

140 Sunnyholt Road
Blacktown NSW 2148
AUSTRALIA

Tel. 1300 367 362

Fax. 1800 671 599

www.3mpurification.com.au

New Zealand

PO BOX 33-246
North Shore 0740
Auckland, NEW ZEALAND

Tel. 0800 362 886

Fax. 0800 362 880

www.3m.com/nz

Issued May 2013